

## Vertical acting toggle clamps

Steel / Stainless Steel, with vertical mounting base

### SPECIFICATION

#### Types

- Type **B**: U-bar version, with two flanged washers
- Type **BC**: U-bar version, with two flanged washers and GN 708.1 spindle assembly (see page 1625)
- Type **F**: Solid bar version, with clasp

#### Version in Steel

- Case-hardened Steel C10, zinc plated, blue passivated
- Bearing pins tempered
- Bearing rivets (for size 230 and up), case-hardened

All moving parts

lubricated with special grease

Hand grip

High quality, oil resistant red plastic

Spindle assembly GN 708.1, Type A (see page 1625)

- Steel, zinc plated
- Rubber tip 85 Shore A

#### Version in Stainless Steel NI

Stainless Steel AISI 304

All moving parts

lubricated with special grease

Hand grip

High quality, oil resistant red plastic

Spindle assembly GN 708.1, Type A (see page 1625)

- Stainless Steel AISI 304
- Rubber tip 85 Shore A

### ACCESSORY

- Spindle assemblies (see page 1623)
- GN 801 clamp mounts for toggle clamps (for Type B) (see page 1629)
- GN 809 clamp mounts for toggle clamps (for Type F) (see page 1630)

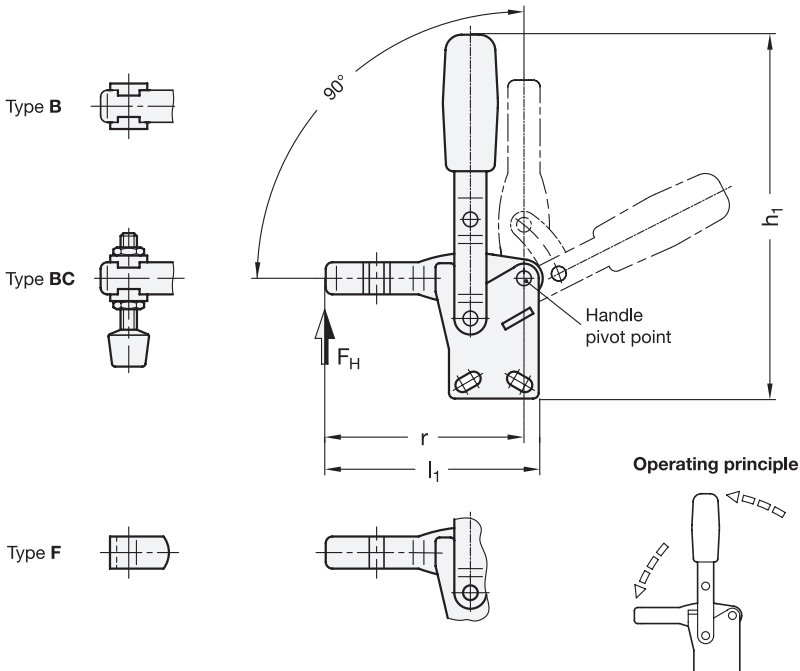


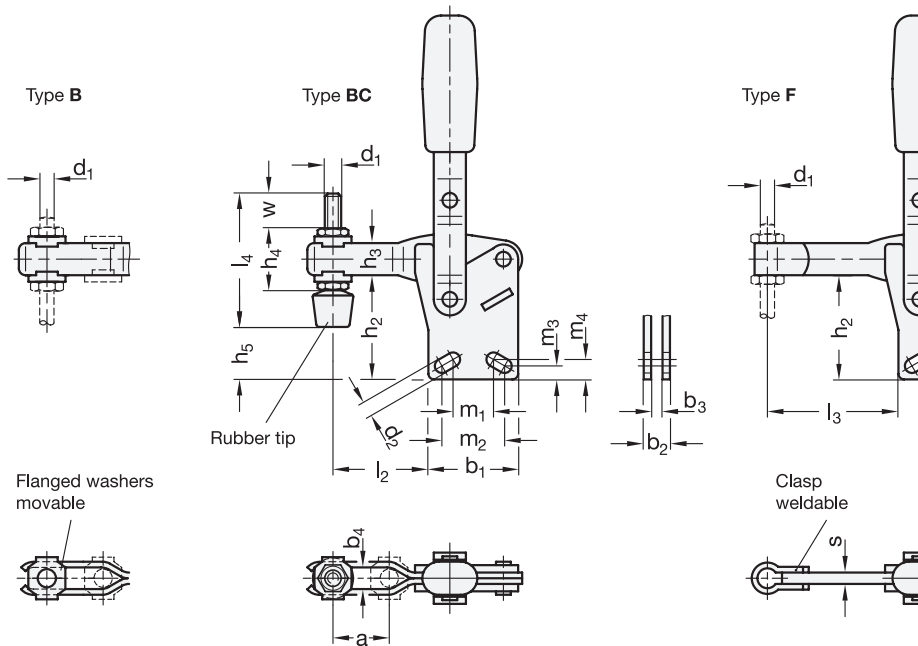
### INFORMATION

GN 810.1 vertical acting toggle clamps work according to the toggle principle: lever and clamping bar move in the same direction. In the clamped position the operating lever is in its vertical position. Vertical acting toggle clamps in the U-bar version with two flanged washers (Type B) can accommodate an application specific clamping screw. A spindle assembly with neoprene rubber tip is also included for Type BC.

Type F version can either be utilized by welding the clasp which can then accommodate an application specific hold-down fastener component, or by utilizing the bar in conjunction with the GN 809 (see page 1630) clamp mounts to hold the work piece in place.

- General information for toggle clamps (see page 1560)





GN 810.1

Description	Size FH in N		a	b1	b2	b3	b4	d1	d2 ≈ h1	h2	h3	h4	h5 max.	l1 ≈	l2 ≈	l3 max.	l4	m1	m2	m3	m4	r	s	w	⚖
GN 810.1-75-B	75	750	20	29	8	4	5.2	M5	4.5	109	32	11	-	66.5	31.5	-	15	16	5	5	62.5	-	-	100	
GN 810.1-130-B	130	1050	28	35	10	5	6.2	M6	5.5	156	41.5	16	-	85	42	-	12.5	19	6.5	7.5	79	-	-	228	
GN 810.1-230-B	230	2000	40	43	12	6	8.5	M8	6.5	183	48	18	-	110.5	58	-	19	20	6.5	6.5	104	-	-	387	
GN 810.1-330-B	330	2400	43	50	14	7	10.5	M10	8.5	218	66	22	-	129	66	-	28.7	32.3	10	9.5	122	-	-	550	
GN 810.1-430-B	430	2800	64	58	18	10	12.5	M12	8.5	268	77.5	26	-	164	88	-	32	32	10	10	156	-	-	1140	
GN 810.1-530-B	530	4500	90	77	18	10	12.5	M12	12.5	337	117.5	32	-	223	128	-	50	51	12.5	12.5	212	-	-	1870	
GN 810.1-75-BC	75	750	20	29	8	4	5.2	M5	4.5	109	32	11	19	17	66.5	31.5	45	15	16	5	5	62.5	15	109	
GN 810.1-130-BC	130	1050	28	35	10	5	6.2	M6	5.5	156	41.5	16	25.5	25	85	42	55	12.5	19	6.5	7.5	79	17.5	200	
GN 810.1-230-BC	230	2000	40	43	12	6	8.5	M8	6.5	183	48	18	30	24	110.5	58	68	19	20	6.5	6.5	104	20	400	
GN 810.1-330-BC	330	2400	43	50	14	7	10.5	M10	8.5	218	66	22	37	39.5	129	66	77	28.7	32.3	10	9.5	122	19	600	
GN 810.1-430-BC	430	2800	64	58	18	10	12.5	M12	8.5	268	77.5	26	43	45	164	88	100	32	32	10	10	156	33	1100	
GN 810.1-530-BC	530	4500	90	77	18	10	12.5	M12	12.5	337	117.5	32	49	85	223	128	100	50	51	12.5	12.5	212	27	1960	
GN 810.1-75-F	75	750	-	29	8	4	-	M5	4.5	109	32	11	-	67	41	-	15	16	5	5	62.5	4	-	102	
GN 810.1-130-F	130	1050	-	35	10	5	-	M6	5.5	156	41.5	16	-	86	42	-	12.5	19	6.5	7.5	79	5	-	234	
GN 810.1-230-F	230	2000	-	43	12	6	-	M8	6.5	183	48	18	-	112	73	-	19	20	6.5	6.5	104	6	-	400	
GN 810.1-330-F	330	2400	-	50	14	7	-	M10	8.5	218	66	22	-	130.5	86	-	28.7	32.3	10	9.5	122	7	-	600	
GN 810.1-430-F	430	2800	-	58	18	10	-	M12	8.5	268	77.5	26	-	166	114	-	32	32	10	10	156	10	-	1100	
GN 810.1-530-F	530	4500	-	77	18	10	-	M12	12.5	337	117.5	32	-	225	155	-	50	51	12.5	12.5	212	10	-	1900	

GN 810.1-NI

STAINLESS STEEL

Description	Size FH in N		a	b1	b2	b3	b4	d1	d2 ≈ h1	h2	h3	h4	h5 max.	l1 ≈	l2 ≈	l3 max.	l4	m1	m2	m3	m4	r	s	w	⚖
GN 810.1-75-B-NI	75	750	20	29	8	4	5.2	M5	4.5	109	32	11	-	66.5	31.5	-	15	16	5	5	62.5	-	-	97	
GN 810.1-130-B-NI	130	1050	28	35	10	5	6.2	M6	5.5	156	41.5	16	-	85	42	-	12.5	19	6.5	7.5	79	-	-	228	
GN 810.1-230-B-NI	230	2000	40	43	12	6	8.5	M8	6.5	183	48	18	-	110.5	58	-	19	20	6.5	6.5	104	-	-	379	
GN 810.1-75-BC-NI	75	750	20	29	8	4	5.2	M5	4.5	109	32	11	19	17	66.5	31.5	45	15	16	5	5	62.5	15	107	
GN 810.1-130-BC-NI	130	1050	28	35	10	5	6.2	M6	5.5	156	41.5	16	25.5	25	85	42	55	12.5	19	6.5	7.5	79	17.5	220	
GN 810.1-230-BC-NI	230	2000	40	43	12	6	8.5	M8	6.5	183	48	18	30	24	110.5	58	68	19	20	6.5	6.5	104	20	400	
GN 810.1-75-F-NI	75	750	-	29	8	4	-	M5	4.5	109	32	11	-	67	41	-	15	16	5	5	62.5	4	-	100	
GN 810.1-130-F-NI	130	1050	-	35	10	5	-	M6	5.5	156	41.5	16	-	86	42	-	12.5	19	6.5	7.5	79	5	-	235	
GN 810.1-230-F-NI	230	2000	-	43	12	6	-	M8	6.5	183	48	18	-	112	73	-	19	20	6.5	6.5	104	6	-	390	

